



HyOx[™]

The Earth's Atmosphere, while supporting all life and affecting all weather, is as thin as the skin of an apple.

Humanity previously took the Earth's Atmosphere for granted. Humanity has since learned.

The United Nations, the U.S. Supreme Court and the Nobel Prize Committee, among others, recognize that Global Warming must be halted in order to protect humanity from severe climatic events.

Robert Burness of the USGS says we need to reduce emissions by 70% to protect our planet from dramatic climatic changes.

NASA's Climate Scientist, James Hanson, has reported and informed Congress of Global Warming. Before Congress in June of 2008 Dr. Hanson stated, "We are at a point of planetary emergency...There are tipping points in the climate system which we are very close to, and if we pass them, the dynamics of the system take over and carry you to very large changes which are out of your control."



For our
children we
can do better.

HyOx[™]

Clean Energy in
Transportation, Electrical Power and HVAC
Eliminating
Carbon, Nitrogen and Sulfur Emissions

The HyOx[™] MISSION is to provide clean energy in
Transportation, Power and HVAC, while improving
performance and efficiency.

HyOx[™] makes hydrogen a practicality.

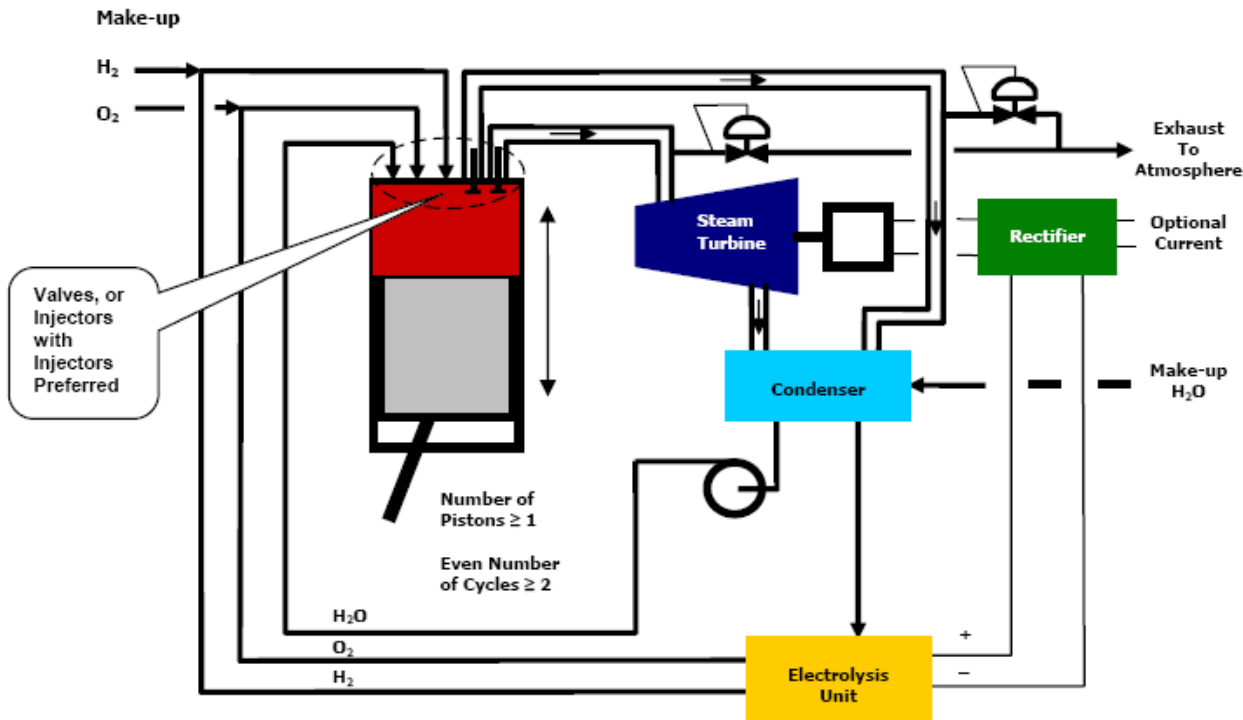
ClearValue is a leader in water purification. ClearValue was the leader in developing many of the chemical and biological technologies in use today for water purification. ClearValue's water expertise led to the development and commercialization of the leading technologies in water clarification, bio-solids management and noxious odor control.

ClearValue's Vision is that pure water and clean energy technologies are most important to Humanity.

ClearValue's Mission is to further develop and commercialize innovative technologies in water and energy.

ClearValue's Objective is to meet the needs of Humanity while obtaining significant earnings and thereby providing an attractive return to investors.

ClearValue is an ethical corporate citizen, therein providing long term business and community value.



HyOx™ is a thermodynamic innovation:

- Zero harmful emissions – No CO_x, NO_x or SO_x
- Highest fuel efficiency – 50+ %
- Great power – To 500 ft-lb per Liter
- Long engine life – no carbon deposits
- Lightweight – ½ Engine Size
- Low maintenance – no fuel cells
- Low pressure fuel storage
- Low cost – combustion engine
- 500 miles per tank of fuel – 20 miles per lb. H₂

How HyOx™ works

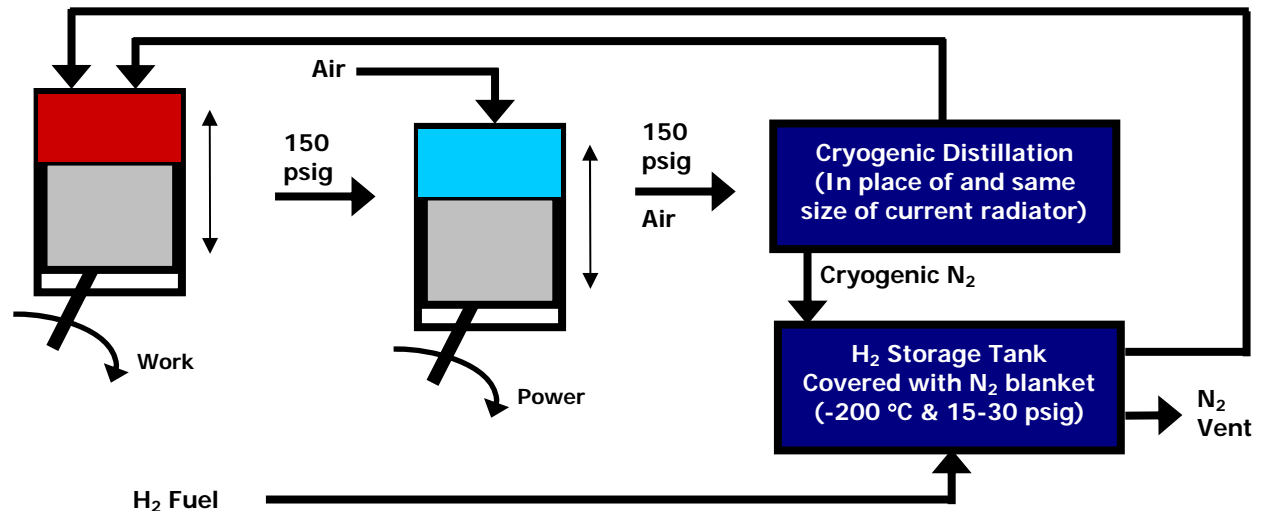
- Combusts H₂ with pure O₂
- No cylinder backpressure
- O₂ obtained by air distillation
- Efficiently stores H₂

By combusting hydrogen with pure oxygen and adding water for cooling and additional power, the Hydrogen Engine becomes a reality.

Otherwise lost energy (\$0.40 out of every dollar in today's automobiles and trucks) is made available with the Water Combustion Technology. Nearly free pure oxygen is obtained by cryogenic distillation of air, which is powered by an engine having no back pressure.

Commercial Benefits:

- 2 Years to Commercialization,
- Combustion engines are known,
- Combustion engines easily implemented,
- Air distillation known
- Cryogenic storage of hydrogen known
- No fuel cells
- 10 X Distance per pound of fuel
- In concert with Nature's Water Cycle
- Eliminates dependency on fossil fuels
- **Four patents issued or pending WW.**
- **1900 ft-lb. available in a V6 engine.**



(PCT/US03/11250, PCT/US06/48057 and U.S. Pub. 2005 0198958)

Clean air is a clear value - ClearValue means clean air and pure power.